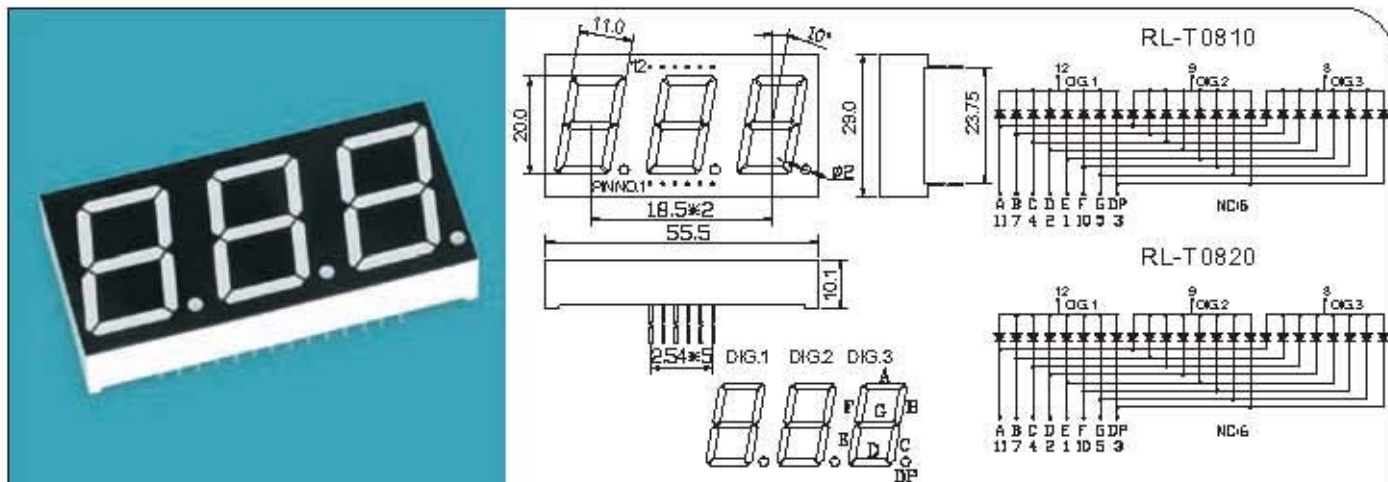


**0.8 " Tripple Digit Display**


Part Number	Chip				Face color	VF(V)			IV(ucd)		C.C. Or C.A.
	Material	Emitted Color	$\Delta p(nm)$			Min	Max	at IF=mA	Min	Max	
			Min	Max							
RL-T0820SBRW	GaAlAs	Super Red	635	645	Red	1.5	2.4	20	4500	9500	C.A.
RL-T0820OCAW	GaAsP/GaP	Orange	625	635	Gray	1.7	2.8	20	2000	3500	C.A.
RL-T0810YCBW	GaAsP/GaP	Yellow	585	595	Black	1.7	2.8	20	1580	2850	C.C.
RL-T0810GDBW	GaP	Yellow Green	565	575	Black	1.7	2.8	20	3300	8300	C.C.
RL-T0820BDBW	InGaN	Blue	465	475	Black	2.8	3.8	20	4800	7000	C.A.

**Absolute Maximum Ratings at Ta=25°C**

Patameter	Symbol	MAX. Rating	Unit
Power Dissipation	Pd	100	mW
Peak forward current (10 $\mu$ s Pulse)	IFM	100	mA
Reverse Current	IR	100	$\mu$ A
Continuous Forward Current	IF	10~20	mA
Operating Temperature	Topr	-40~+85	°C
Storage Temperature	Tstg	-40~+85	°C

Lead Soldering Temperature: 260°C For 5 SEC

**FEATURES:**

- ◆ Low power consumption
- ◆ Low current operation
- ◆ Excellent character apperance
- ◆ Easy mounting on P.C. boards or sockets
- ◆ I.C. compatible
- ◆ Mechanically rugged
- ◆ Standard:gray face,white segment
- ◆ RoHs compliant
- ◆ Various colors and lens types available

**Note:** 1.Absolute maximum ratings Ta=25°C.

 2.Tolerance of measurement of forward voltage  $\pm 0.1V$ .

 3.Tolerance of measurement of peak Wavelength  $\pm 2.0nm$ .

 4.Tolerance of measurement of luminous intensity  $\pm 15\%$ .

## Reliability Test and Test Items And Result

No	Item	Test Condition	Test Hours/Cycles	Samples Tested	Acc./Rej
1	Room Temperature DC Operating Life	Ta=25°C, IF=20mA	1000 Hrs	76	0/1
2	Thermal Shock	-10°C(5min)→(10sec)→+100°C(5min)	100 Cycles	76	0/1
3	Temperature Cycle	-40°C(30min)→(5min)→+85°C(30min)	100 Cycles	76	0/1
4	High Temp./ High Humi. Test	85°C/85%RH	1000 Hrs	76	0/1
5	High Temperature Storage	Ta=100°C	1000 Hrs	76	0/1
6	Low Temperature Storage	Ta= - 40°C	1000 Hrs	76	0/1
7	Soldering Heat	260°C±5°C	5 Seconds	76	0/1

### Typical Electrical / Optical Characteristics Curves 25°C Ambient Temperature Unless Otherwise Noted)

