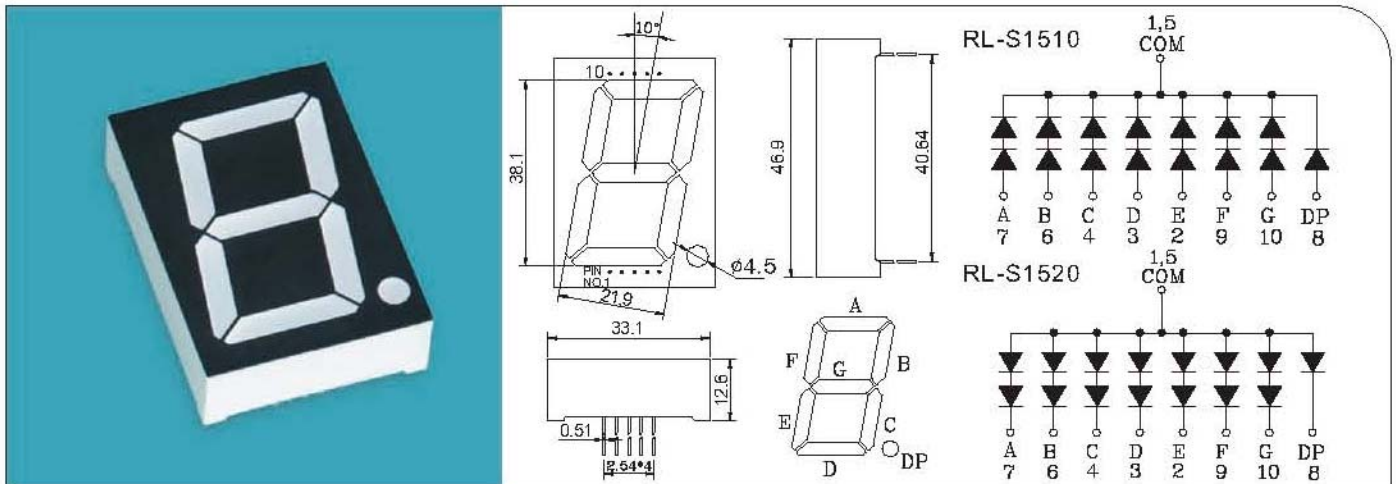


1.5 " Single Digit Display


Part Number	Chip			Face color	VF(V)			IV(ucd)		C.C. Or C.A.
	Material	Emitted Color	λ_p (nm) Min Max		Min	Max	at IF=mA	Min	Max	
RL-S1520SBRW	GaAlAs	Super Red	635 645	Red	3.0	4.8	20	3600	8600	C.A.
RL-S1520OCAW	GaAsP/GaP	Orange	625 635	Gray	3.4	5.6	20	1600	2900	C.A.
RL-S1510YCBW	GaAsP/GaP	Yellow	585 595	Black	3.4	5.6	20	1300	2500	C.C.
RL-S1510GDBW	GaP	Yellow Green	565 575	Black	3.4	5.6	20	2600	7380	C.C.
RL-S1520BDBW	InGaN	Blue	465 475	Black	5.6	7.6	20	4500	6500	C.A.

Absolute Maximum Ratings at Ta=25°C

Parameter	Symbol	MAX. Rating	Unit
Power Dissipation	Pd	100	mW
Peak forward current (10μs Pulse)	IFM	100	mA
Reverse Current	IR	100	μA
Continuous Forward Current	IF	10~20	mA
Operating Temperature	Topr	-40~+85	°C
Storage Temperature	Tstg	-40~+85	°C

Lead Soldering Temperature: 260°C For 5 SEC

FEATURES:

- ◆ Low power consumption
- ◆ Low current operation
- ◆ Excellent character appearance
- ◆ Easy mounting on P.C. boards or sockets
- ◆ I.C. compatible
- ◆ Mechanically rugged
- ◆ Standard:gray face,white segment
- ◆ RoHs compliant
- ◆ Various colors and lens types available

Note: 1.Absolute maximum ratings Ta=25°C.

 2.Tolerance of measurement of forward voltage $\pm 0.1V$.

 3.Tolerance of measurement of peak Wavelength $\pm 2.0nm$.

 4.Tolerance of measurement of luminous intensity $\pm 15\%$.

Reliability Test and Test Items And Result

No	Item	Test Condition	Test Hours/Cycles	Samples Tested	Acc./Rej
1	Room Temperature DC Operating Life	Ta=25°C, IF=20mA	1000 Hrs	76	0/1
2	Thermal Shock	-10°C(5min)→(10sec) →+100°C(5min)	100 Cycles	76	0/1
3	Temperature Cycle	-40°C(30min) →(5min)→+85°C (30min)	100 Cycles	76	0/1
4	High Temp./ High Humi. Test	85°C/85%RH	1000 Hrs	76	0/1
5	High Temperature Storage	Ta=100°C	1000 Hrs	76	0/1
6	Low Temperature Storage	Ta= - 40°C	1000 Hrs	76	0/1
7	Soldering Heat	260°C±5°C	5 Seconds	76	0/1

Typical Electrical / Optical Characteristics Curves 25°C Ambient Temperature Unless Otherwise Noted)

